

## TPC6000-C1854-B-LHP&LH5P-P

## Fanless

### ■ Features:

- 18.5" TFT 1920 x 1080
- 3/5 LANs
- Capacitive touch screen
- Support Intel® Core™ 10th-11th gen i3/i5 high performance processors
- DC12~24V ±10%
- Panel Mounted & VESA Mounted

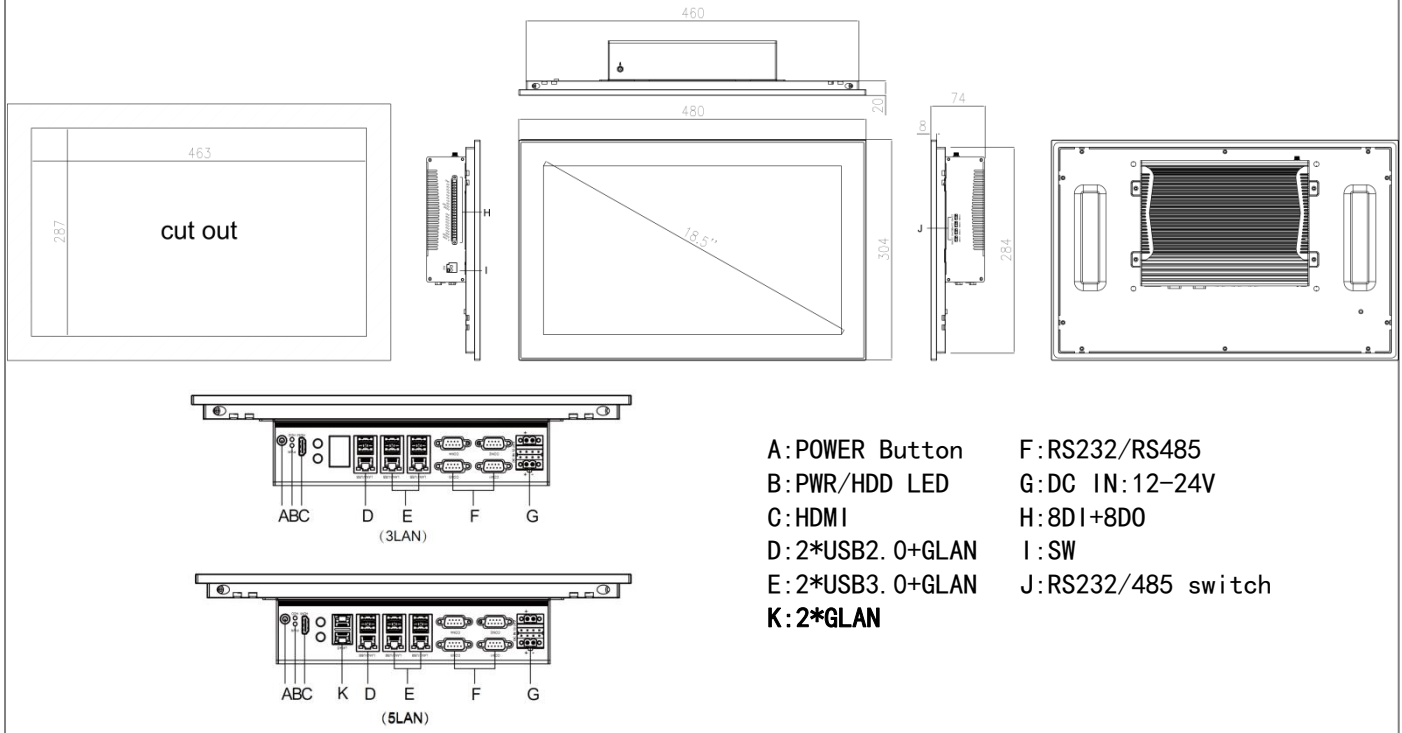


### ■ Specifications:



Product Name		TPC6000-C1854-B-LHP-P	TPC6000-C1854-B-LH5P-P
System	CPU	Intel® Core™ 10-11代i5/i3 CPU type LGA1200 . Max.35W	
	Chipset	H510	
	Memory	Support 2 x DDR4-2666/3200 MHz, Up to 32GB	
	Storage	1 x M.2(M Key 2280 PCIe Gen3 x 4 Lane) 1 x mSATA	
I/O	Network	3 x Intel 1000Mbps RJ-45	5 x Intel 1000Mbps RJ-45
	USB	4 x USB3.0 + 2 x USB2.0	
	Serial port	4 x RS-232 / RS-485 ,RS485 support automatic flow control	
	I/O port	<b>8DI Wet contact input (24V) 8DO PNP Output (24V 500mA)</b>	
	HDMI	1920x1080 60Hz	
	Expansion slot	1 x Mini-PCIe slot, Support Wifi,4G modules	
Mechanical	Weight	5.9kg	
	Installation	Panel Mounted & VESA Mounted	
	Dimensions (W x H x D)	480mm * 304mm * 74mm	
	Cut out size (W x H)	463mm * 287mm	
OS	OS	Windows 7, Windows8, Windows10, Linux	
Power Consumption	Input Voltage	DC12~24V ±10%, support reverse polarity protection, overvoltage protection, overcurrent protection	
	Idle Power Consumption	38W	
LCD	LCD Size	18.5" TFT	
	Resolution	1920 x 1080	
	MTBF (hours)	50000hrs	
	Luminance	350cd/m2	
	Contrast Ratio	1000: 1	
	Viewing Angle	(L) 89 / (R) 89 / (T) 89 / (B) 89	
Touch Screen	Touch Screen Type	Capacitive touch screen	
	Transmittance	> 87%	
	Controller Interface	USB	
Environment	Operating Temperature	-0 ~ 50°	
	Storage Temperature	-20 ~ 60°	
	Relative Humidity	5~95% (40*Non-condensing)	
	Vibration	SSD applied: 1.5 Grms, IEC 60068-2-64, random, 5 ~ 500 Hz, 1 hr/axis	
	Shock	Operating 10G peak acceleration (11ms duration), follow IEC 60068-2-27	
	EMC	CE/FCC Class B	
	Waterproof	Front IP65 compliant	

## ■ Dimensions & Interfaces Unit:mm



## ■ Ordering Information

TPC6000-C	Description
TPC6000-C1854-B-LHP-P	18.5 "LCD,1920*1080, 4 x COM(RS232/485 Selectable), 3 x GLAN, 6 x USB, 8DIO, DC12~24V Input
TPC6000-C1854-B-LH5P-P	18.5 "LCD,1920*1080, 4 x COM(RS232/485 Selectable), 5 x GLAN, 6 x USB, 8DIO, DC12~24V Input

## ■ Optional Parts

Replacement	Description
CPU	Support 10th/11th generation Intel® Core™ i3/i5 LGA 1200 socket type processors Intel® Core™i5-11400T, Six Cores, 1.30 GHz, 12 MB Cache; Intel® Core™i5-11500T, Six Cores, 1.50 GHz, 12 MB Cache; Intel® Core™i5-10400T, Six Cores, 2.00 GHz, 12 MB Cache; Intel® Core™i5-10500T, Six Cores, 2.30 GHz, 12 MB Cache; Please contact sales to check other request.
Memory	DDR4 4G/8G/16G
Storage	Mini SATA SSD 64G/128G/256G/512G/1TB
Storage	M.2 SSD 128GB,256GB,512GB,1TB,2TB
WIFI	miniPCIE WIFI Kit(7260 Series), Cylindrical Antenna
Expansion slot	mini PCIE, EC20.EG25.EC25